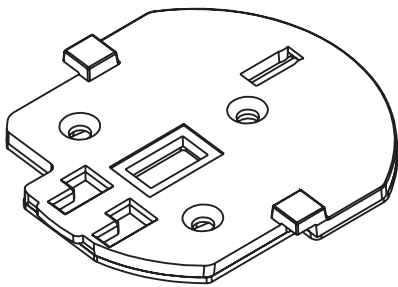
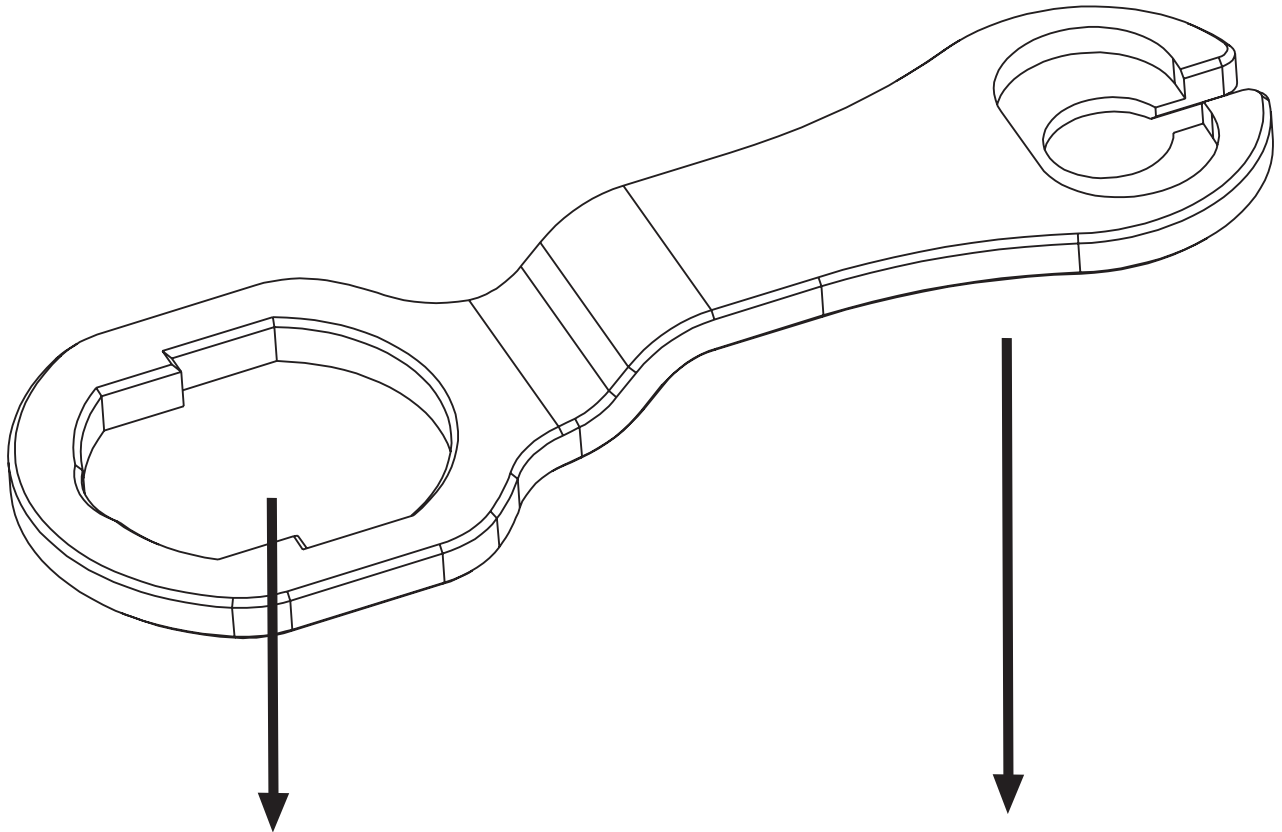
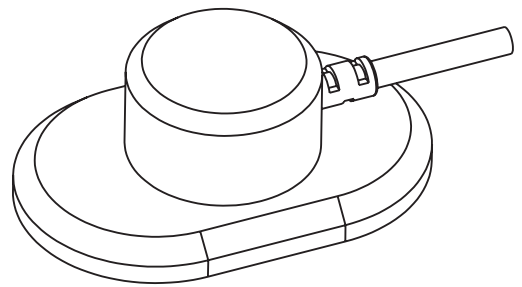


UNO/Roto Sensor Removal Tool



Baseplate UNO controller



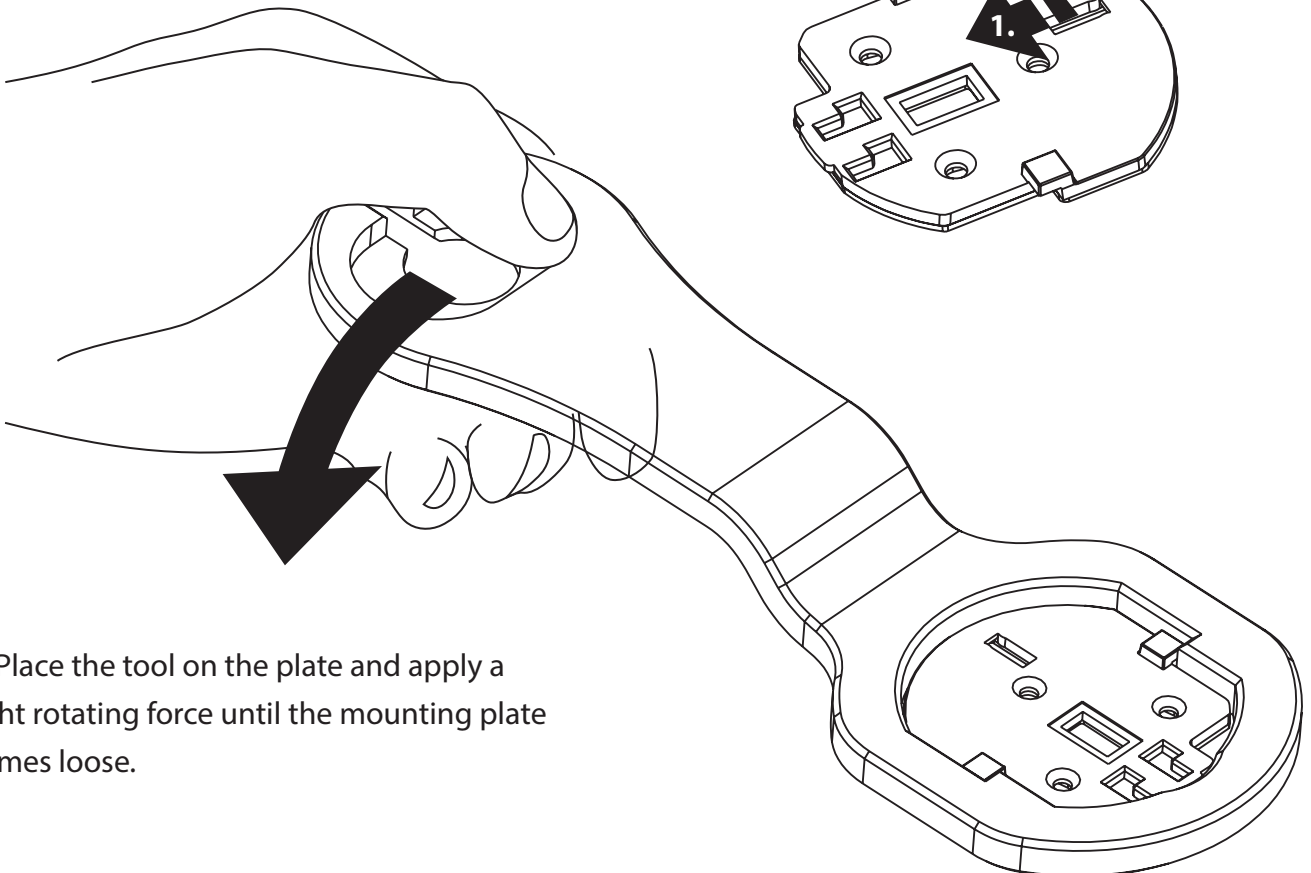
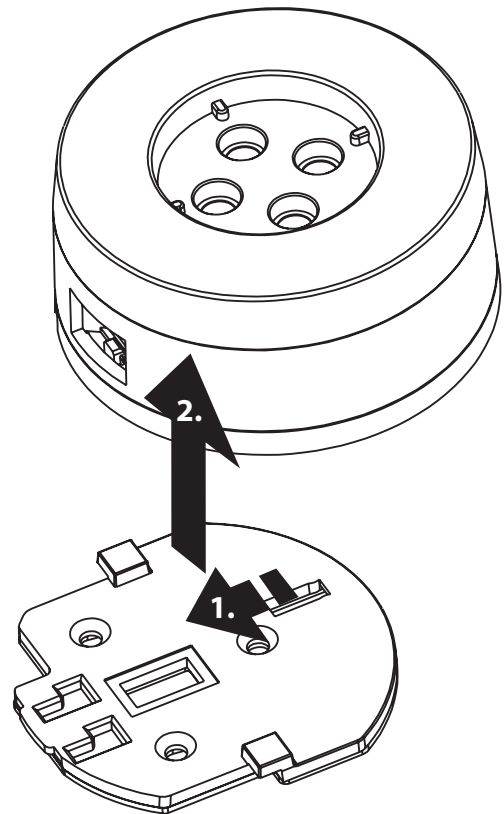
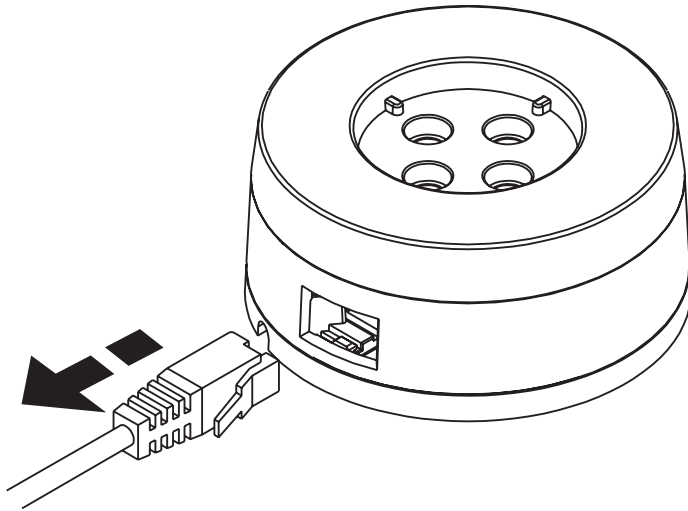
Roto Sensor

UNO/Roto Sensor Removal Tool

Removing the UNO baseplate

1. Remove the RJ Connector from the UNO controller.

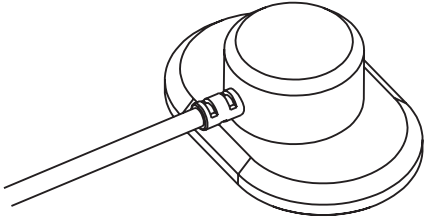
2. Push the controller backwards and remove it from the mounting plate.



3. Place the tool on the plate and apply a light rotating force until the mounting plate comes loose.

UNO/Roto Sensor Removal Tool

Removing the Roto Sensor



Place the Removal Tool over the Roto Sensor and apply a light rotating force until the Roto Sensor comes loose.

