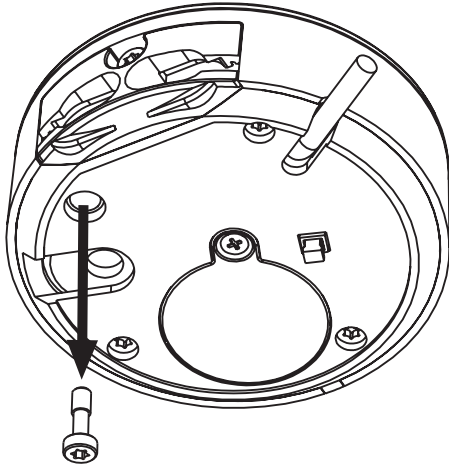
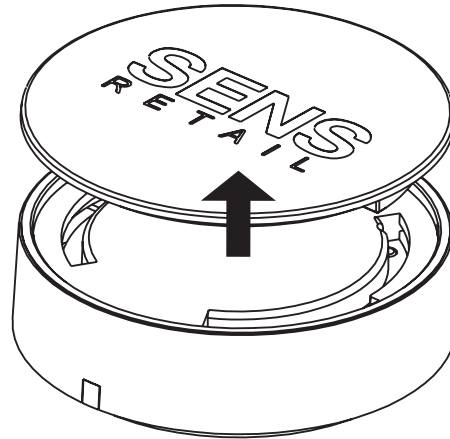


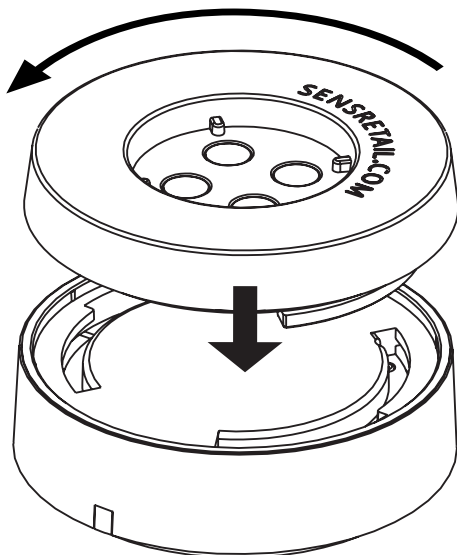
Mounting an acrylic display stand



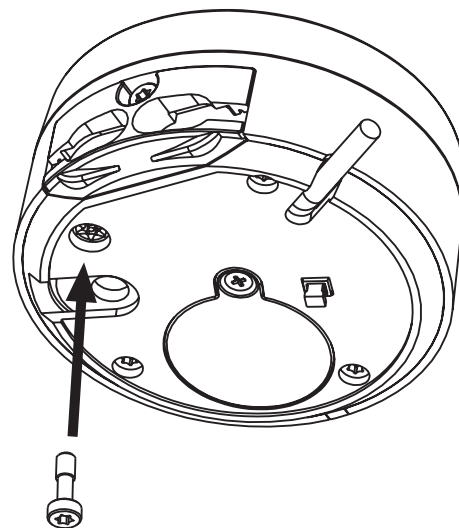
1. Remove the cover release screw completely.



2. Turn UNO cover clockwise to remove it from the UNO controller.

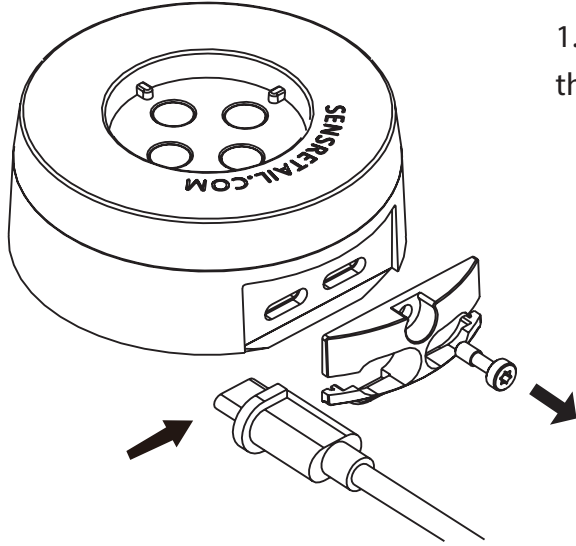


3. Place the selected Display Stand (0 degrees version shown) in the slot and rotate anti clockwise.

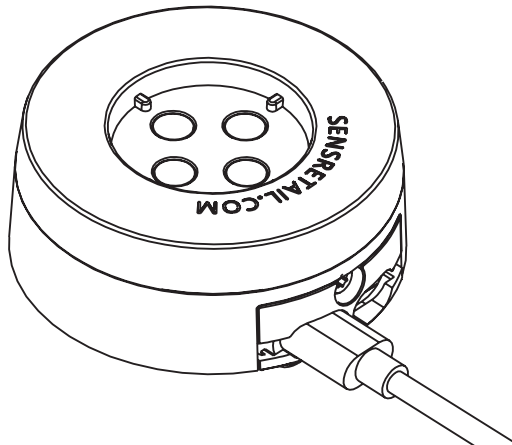


4. Before placing back the screw into the UNO-EVO controller, make sure that the screw hole in the UNO-EVO controller is aligned with the hole of the acrylic stand. If not aligned right the screw can cause breakage of the acrylic stand.

Connecting charging or sensor cable



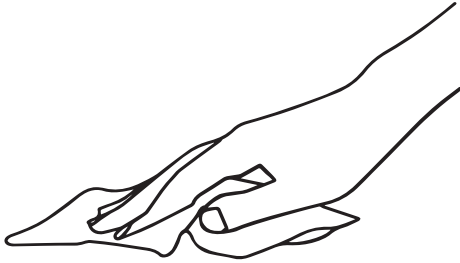
1. Release the cable lock screw and remove the cable blocker from the UNO EVO.



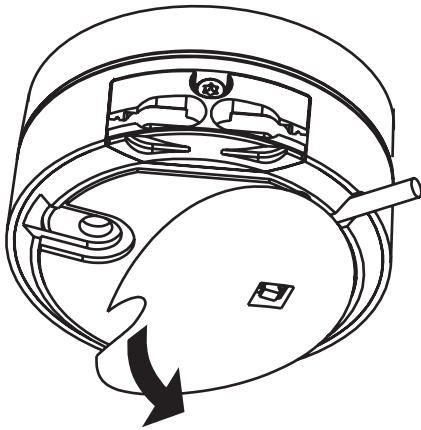
2. Insert the USB/C connector (charging cable or sensor cable) with the 'ears' directing out.

3. Place the blocker over the connector(s) and fasten the screw.

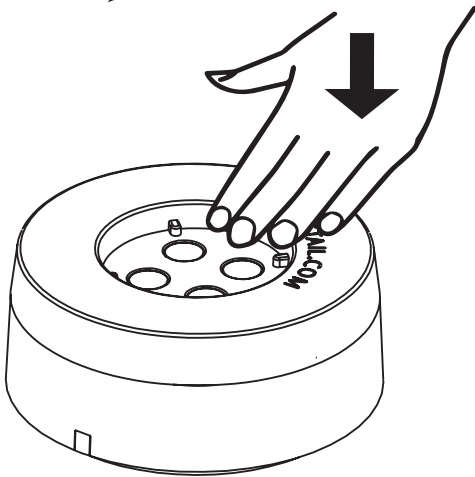
Install the UNO EVO controller on a display



4. Clean the table / display surface.

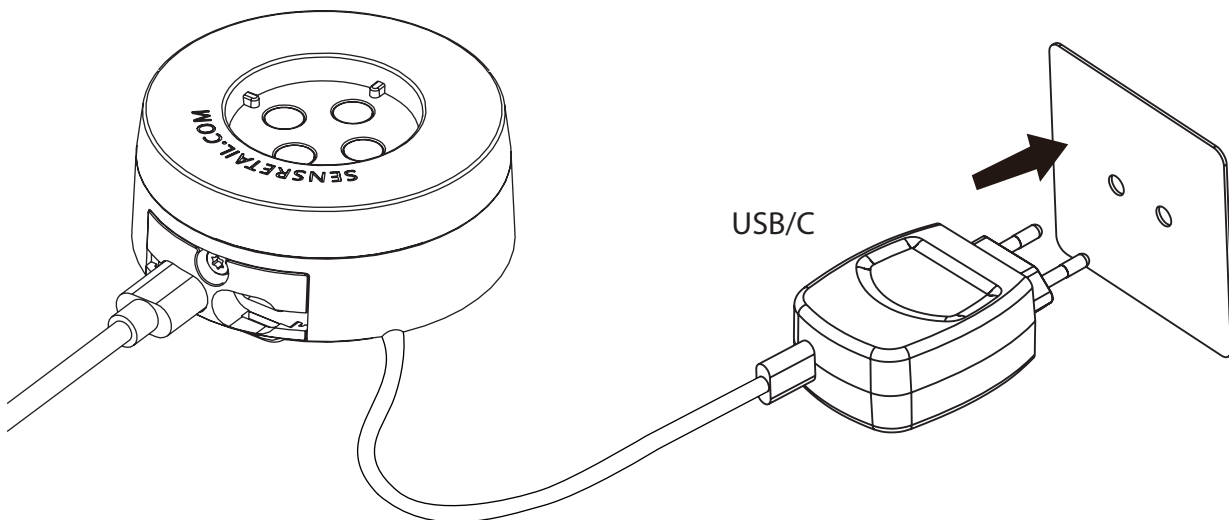


5. Remove transparent protective foil from the adhesive.



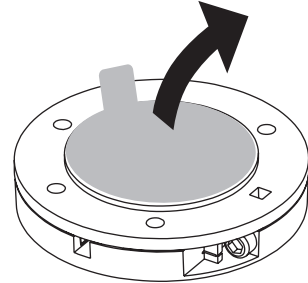
6. Press the UNO EVO lightly on the display for 10 seconds (optimal adhesive power is reached after 24 hours).

7. Connect the USB/C connector to a power adaptor and plug it into a wall outlet.

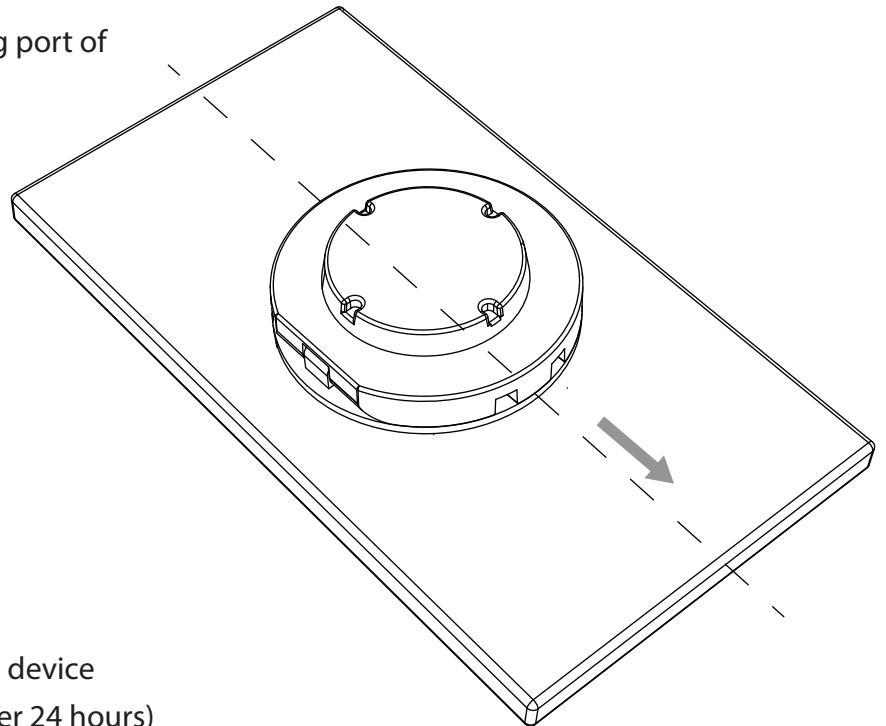


Install the smartdisc (phone or tablet)

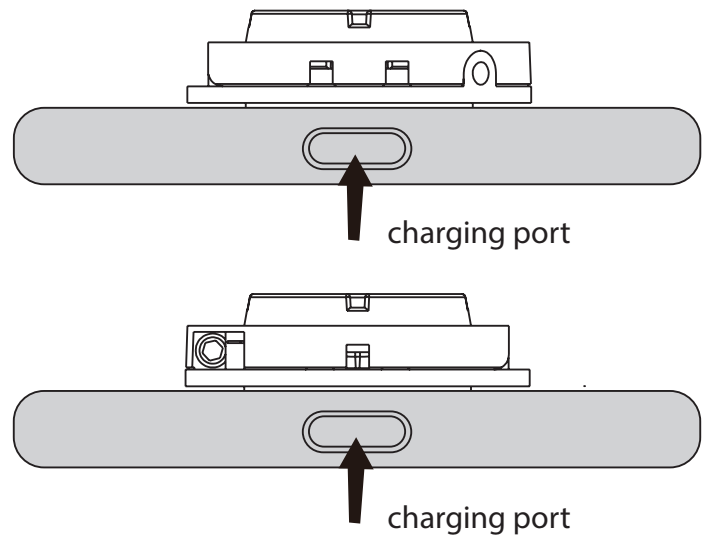
1. Remove protective foil from the adhesive.



2. Make sure cable output and charging port of the device face the same direction.

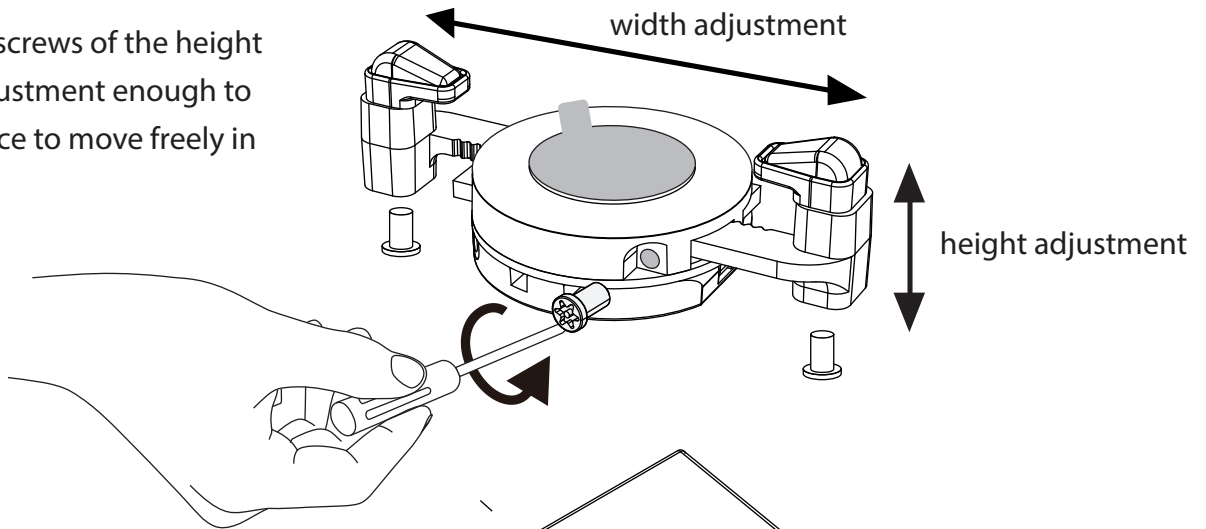


3. Stick the smartdisc at the back of the device
(optimal adhesive power is reached after 24 hours)

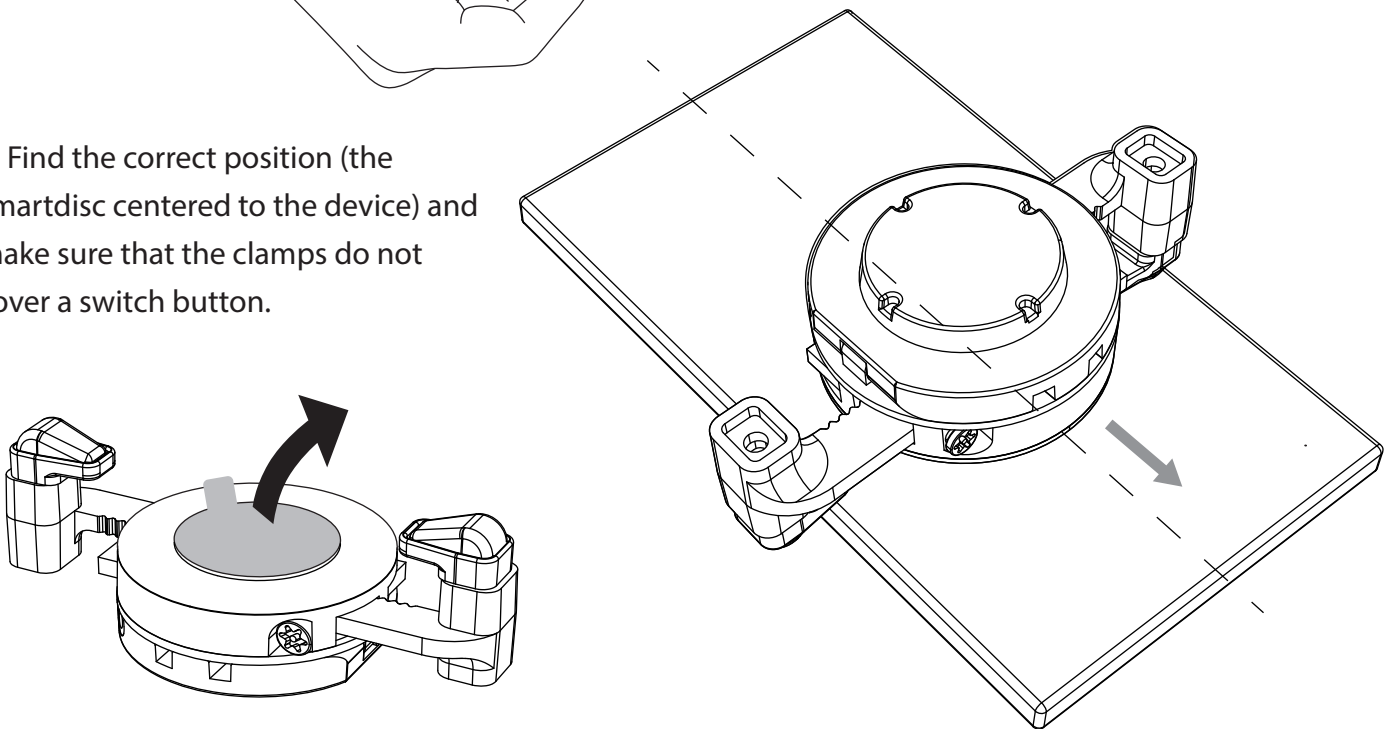


Install the smartdisc with clamps (phone or tablet)

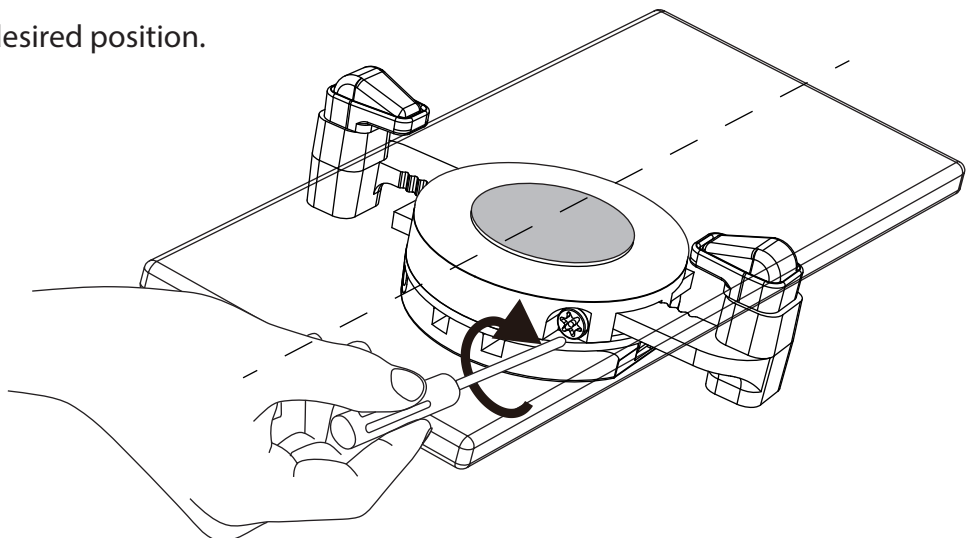
1. Loosen the screws of the height and width adjustment enough to allow the device to move freely in the clamps.



2. Find the correct position (the smartdisc centered to the device) and make sure that the clamps do not cover a switch button.

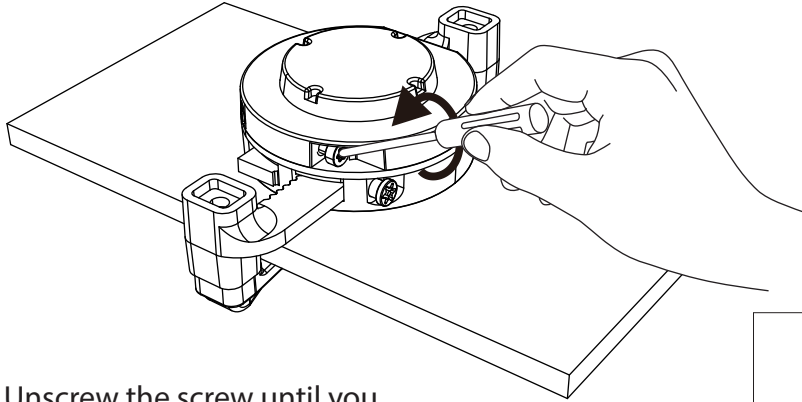


3. Remove the protective film from the sticker and place the smartdisc in the desired position.

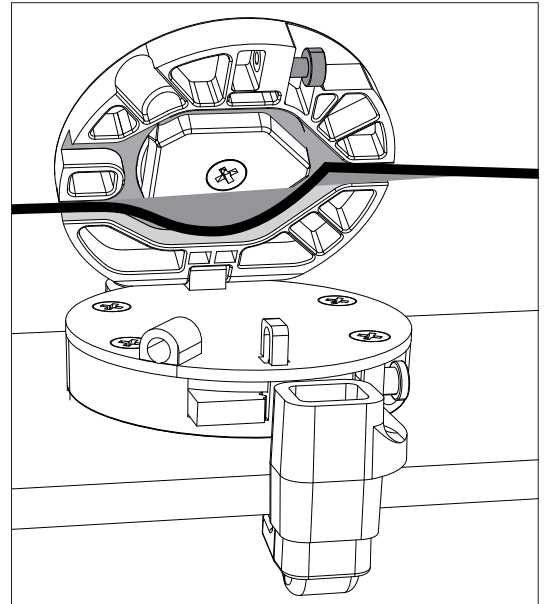


4. Lightly tighten the screws.

Install charging cable

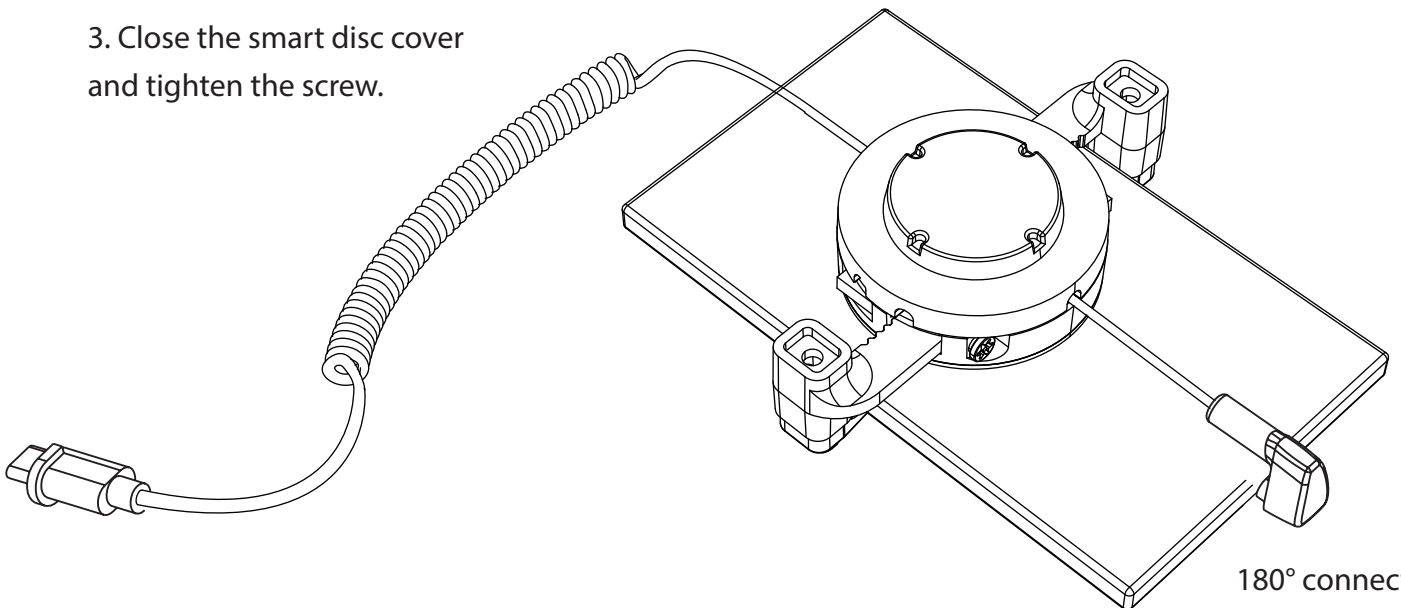


1. Unscrew the screw until you feel resistance.

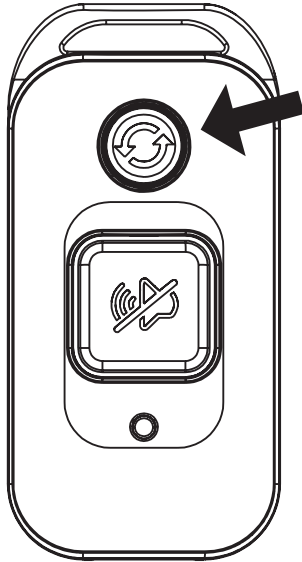
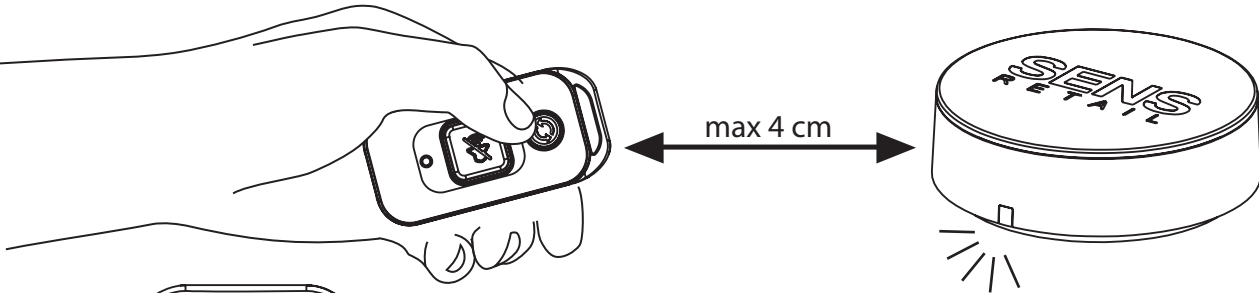


2. Open smart disc cover and pass the cable through cable channel.

3. Close the smart disc cover and tighten the screw.

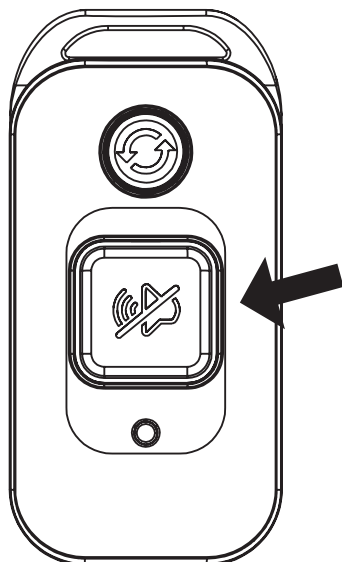
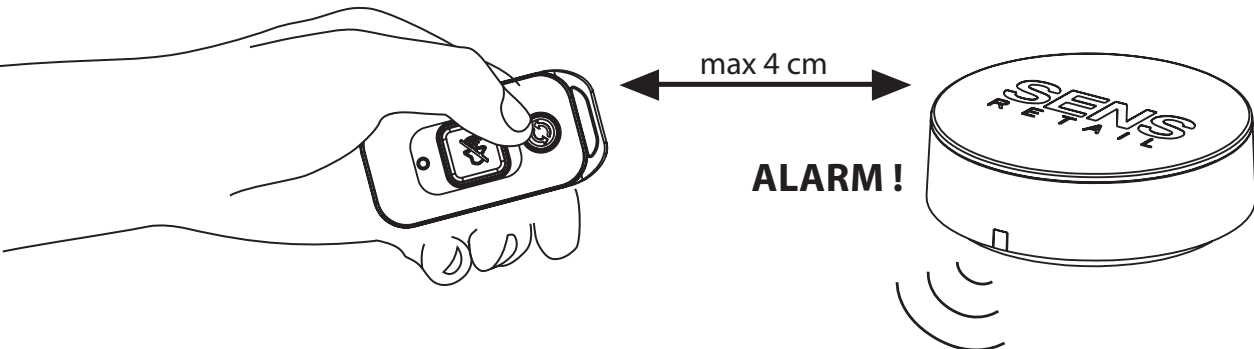


180° connector



SRF KEY V2 code set-up procedure (for first time use only)

1. Bring the SRF Key within short distance of the UNO EVO controller and press the small button to program the key code into the UNO EVO controller.
2. When the LED of the UNO EVO flashes blue and buzzer sounds, the set-up is successful completed.
3. When the LED does not flash or buzzer does not sound, bring to SRF Key closer to the UNO EVO (as indicated in the picture) and repeat the procedure.



Switch off alarm

1. When the UNO EVO starts to alarm check the secured merchandise.
2. Bring the SRF Key close to the UNO EVO and press the Alarm-Off button.
3. Within 10 seconds the UNO EVO will automatically return in protection mode when de sensors are correct installed.